



eLock-S134ML

Features

- Special design, easy to adjust the distance of the Lock-tongue
- Designed for Metal Frame drill a hole, then install it directly
- Testing to 1000,000 cycles
- Suitable for: Narrow wooden door, narrow Metal door
- The special design is that the spring bolt can be adjusted to be open all the time

Specification

- 12Vdc operation
- Fail Secure Type
- Operation current 190mA
- Holding Force : 500KG
- Dimension : 250mm(L) X 25mm(W) X 31.5mm(D)
- Face Plate : Stainless Steel
- Strike Structure : Zinc die-casting
- Special Design : Adjust Lock-tongue to NO style (Bypass)
- Function : Built-out MOV
- Opening Mode : 90° Swinging Door
- Safety Approval :- **CE**



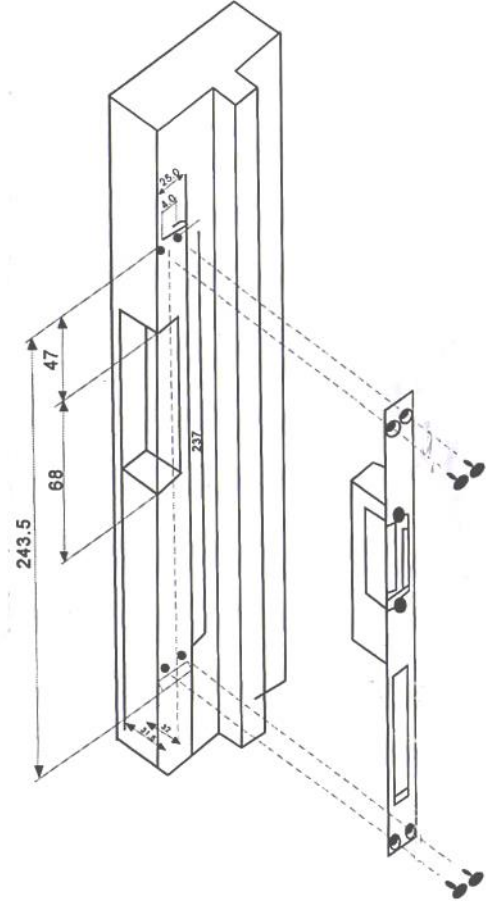
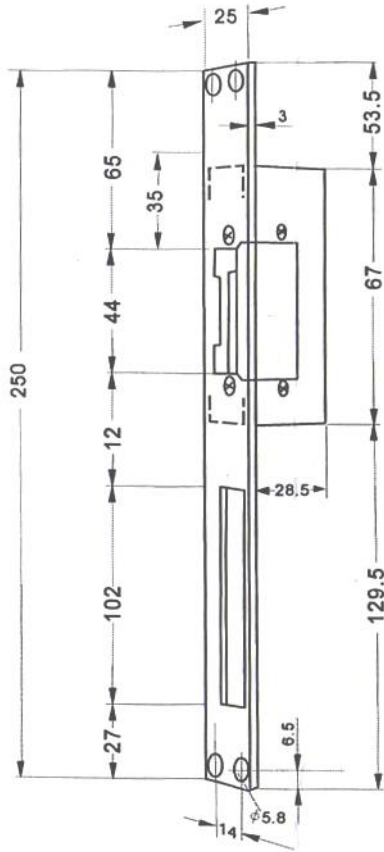
Your Security is Our Responsibility

Kyodensha Technologies (M) Sdn Bhd (2057536-M)
Information Communication Technologies (M) Sdn Bhd (640944-K-M)
Digit Innovation Technologies (M) Sdn Bhd (646972-U)

No, 7 Jalan TPP 1/15, Taman Industri Puchong
Batu 12, Jalan Puchong, 47100 Puchong
Selangor, Malaysia

TEL +603 8061 4589 +603 8061 3201
FAX +603 8944 1715
WEB www.elock2u.com
EMAIL sales@elock2u.com

User Guide – Installation



if you adjust the pole to the right,
then the strike will release all the time
(bypass)

NC: if you adjust the pole to the left,
then the strike is Fail Secure type