

Overview

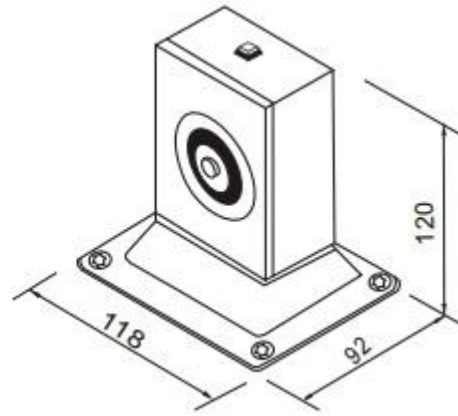
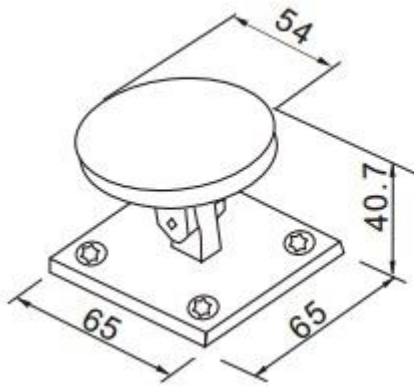


EL-DH-605 is a wall mount and floor mount door holder, which adopts low power consumption, that makes it more environment friendly and more durable. Professional anti-residual magnetism design ensures highest security. It will release automatically the fire door when fire alarms. It also contains build-out release button for testing and build-in MOV which reverse current protection.

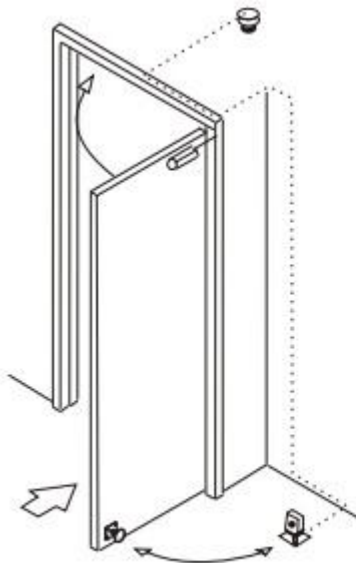
Specification

Product Parameter	Parameter Description
Dimensions	L116 x W93 x H118 (mm)
Holding Force	50kg (110Lbs)
Voltage	DC24V + 1-%
Current Draw	12V/180mA 24V/70mA
Optional	Manual door release button
Suitable for	All kind of Single & Double Smokeproof Doors
Surface Temp	≤+20°C
Operating Temp	-10~+55°C(14-131F)
Suitable Humidity	0~90%(relative humidity)
Finishes for Shell	High Temperature Paint and Environmental Protection Zinc
Finishes for Armature	Zinc
Weight	1.4kg

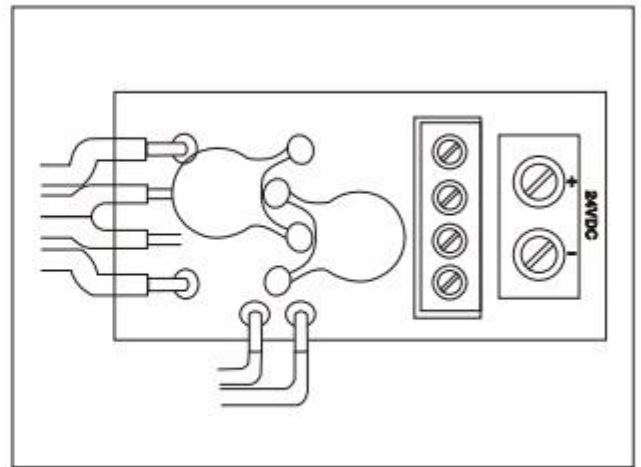
Dimensions



Installation



Installation



Wiring Instructions