



**eLock-S210M /  
eLock-S210MF**

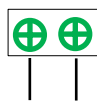
## Features

**eLock-210 series electric strike lock** offer cost effective solution with easy installation & suitable for variety of application. It is built-in with a micro switch that provides door status monitoring capability. All locks come with stainless steel face plate, designed to fit for most types of Aluminum, Steel, Wooden or Brass door application.

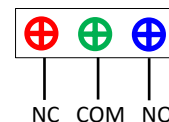
## Specification

- 12Vdc operation
- Operation current 190mA
- eLock-S210M ( Fail-Secure Type ) , Narrow style
- eLock-S210MF ( Fail-Safe Type ) , Narrow style
- With Door Status Signal feedback / monitored
- Holding force: 200KG ( 440lbs )
- Dimension : 160mm(L) X 24mm(W) X 31mm(D)
- Face Plate : Stainless Steel
- Protection Class: IP40
- Safety Approval :- **CE**
- Electrical Specification:
  - Voltage: 12Vdc
  - Power Consumption: 2.3 watt max.
  - Current drawn: 170mA / 12VDC ( Fail Safe model )
  - 190mA / 12VDC ( Fail Secure model )

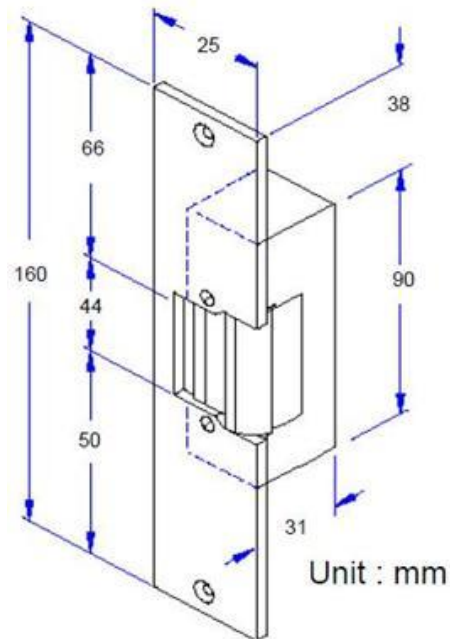
## Wiring Diagram



Power  
12VDC



## User Guide – Installation



## User Guide – Door Status Signal



Door Status Signal ( Micro Switch )

Terminals	Door Closed	Door Opened
Blue	NC	NO
Red	NO	NC
Green	Com	Com