

Features

Elock-B500U is an all-metal construction electric bolt .specially designed for fully frameless glass doors. The bolt of the lock is made of 304 stainless steel solid bar with 1000kg holding force and anti-burglar design. With the multiple designs of durable magnetic valve, special photoelectric control system, LED Indicator, Door statue signal output contact, ultra-low temperature and power consumption design, anti-intrusion and smart circuit.

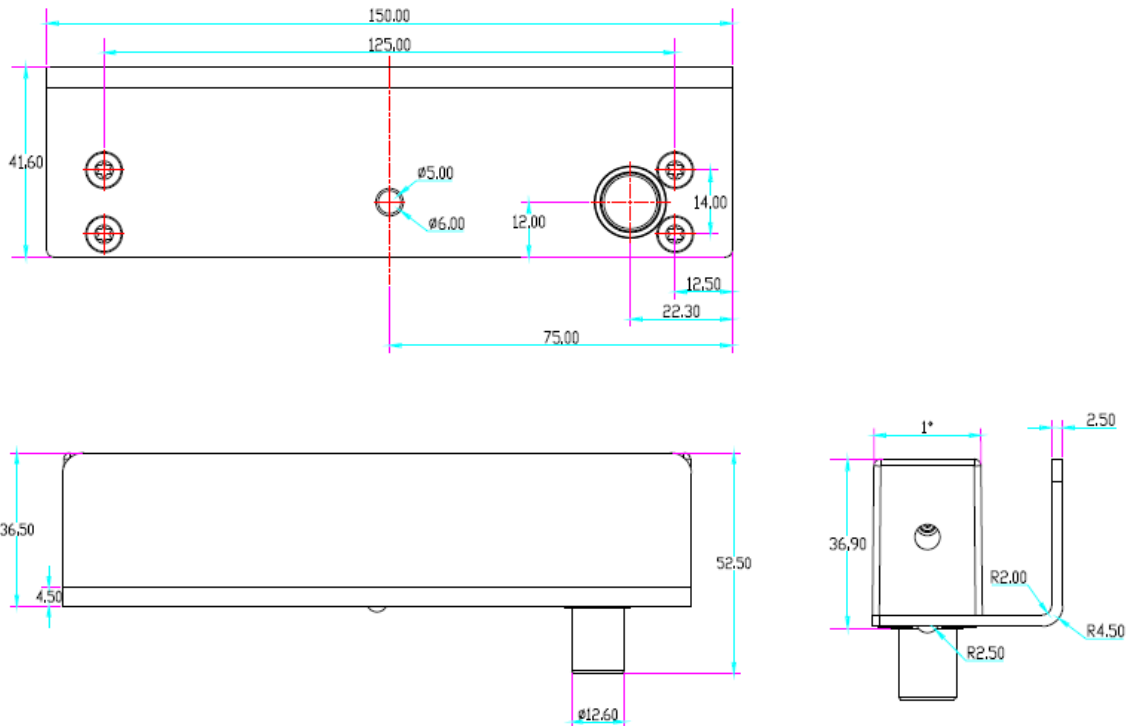


eLock-500U

Specification

Feature	Fail Safe
Face Plate	150Lx40WX37H(mm)
Bolt	16(length)*13(diameter)(mm)
Voltage	DC12V(DC24V)
Start Current	960mA
Standby Current	180mA
Solid Bolt	polishing housing, 1000kg Holding Force
Suitable For	12mm Electric Bolt For Fully Frameless Glass Door
Signal Output	Door status Output, NC/COM
Surface Temp	Low Temperature
Induction Distance	8mm
Special Designed	Tested to 500000 operations
Face place material	Stainless Steel
Weight	1.36kg

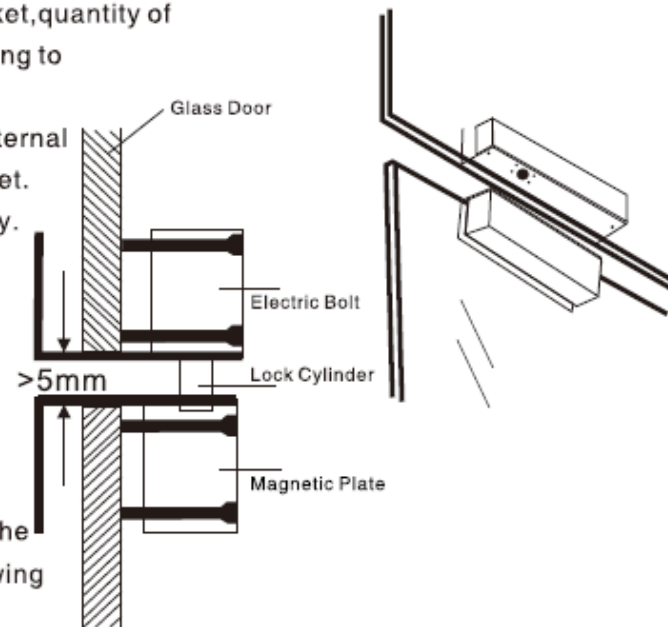
Dimension



Installation

Steps:

1. Ensure the installation position, clean the glass surface.
2. Fix the spacer inside the U bracket, quantity of spacer can be increased according to the thickness of glass.
3. Paint the glass cement on the internal sideways of the under-part bracket.
4. Screw the bracket by the Allen key.



Attentions:

1. eLock-B500U is specially for the 180 degree in-swing and out-swing frameless glass door.
2. The thickness of glass door is 10-12mm
3. The gap between the down-bracket and electric bolt is : 5-8mm.

Wiring diagram

