

EL-810PD

Features

EL-810PD is a large door contact. Suitable for most security system.

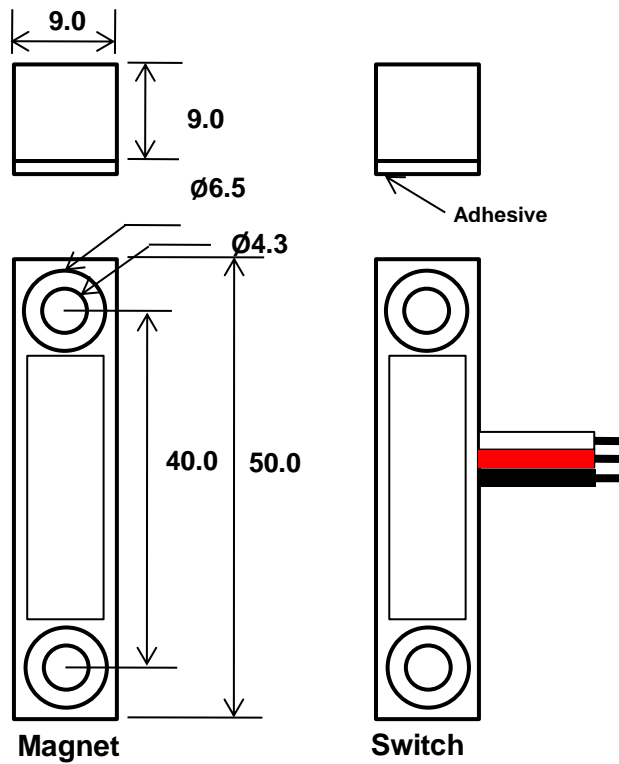
- Ruthenium Over Gold Reeds
- UL certified PVC Lead Out wire
- UL certified Reed Switch

Specification

- Maximum Contact Rating :- 100VDC 0.5A 10W
- **Wide Gap** : 0.98" (25 mm)
- Loop Type: Open or Closed
- Reed Form: SPDT

- Dimension : (50 L x 10 W x 10 D) mm
- Safety Approval:- **CE**
- ISO 9000 certified Manufacturer
- Electrical Specification:
 - Voltage: 100 V AC/DC max.
 - Current: 0.5 A max.
 - Power: 5 W max.

User Guide: Product Dimension



Wiring Diagram

