



EL-EB1

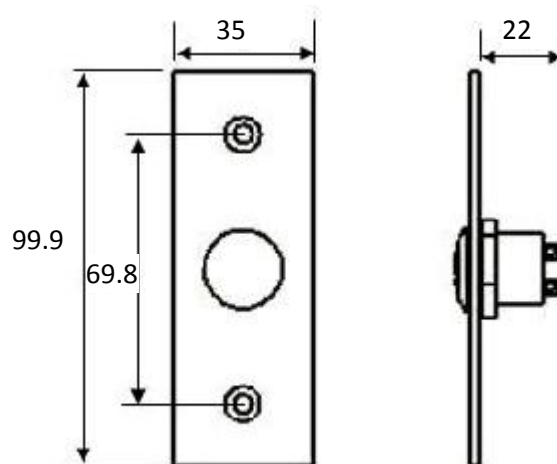
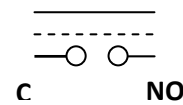
## Specification

- Stainless Steel Exit Button
- Flush Stainless Steel Face Plate
- Narrow Style
- Button Housing: Zinc Alloy Die-Casted, chrome plated
- NO, C contacts
- Contact Rating: 4A 125VAC, 2A 250VAC
- CE approved.
- Dimension: 99.9mm(L) x 35mm(W) x 22mm(H)

## Technical Information



\*NO, C Contacts  
(normally open)



All dimensions in mm