

Features :

Elock-600(UL) / Elock-600L(UL) electromagnetic locks offer cost effective solution with easy installation & suitable for variety of application . It has no moving parts thus keeping maintenance to a minimum. All types of brackets are available to ease installation for both in-swing & out-swing doors.



- 600lbs holding force
- Dual voltage 12V DC & 24V DC
- MOV surge protection
- Fail-Safe type
- Adjustable mounting bracket
- Push-off button on armature for instant release

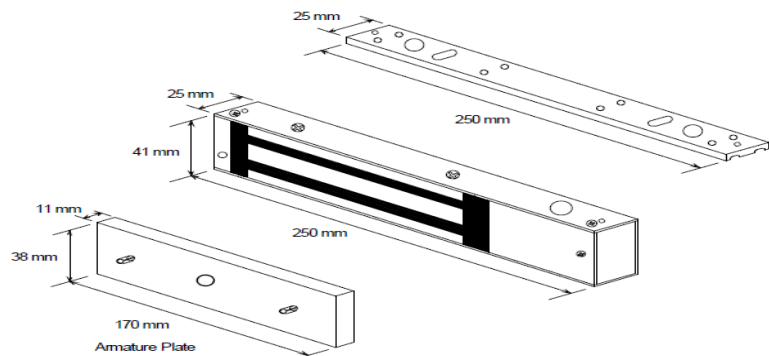
Specification :

Model	Elock-600(UL)	Elock-600L(UL)
Holding Force	600 lbs	
Operating Voltage	12/24 VDC	
Current Draw	12V DC	500mA @12V DC
	24V DC	250mA @24V DC
Bond Sensor Relay	NO	YES
Status LED	NO	YES

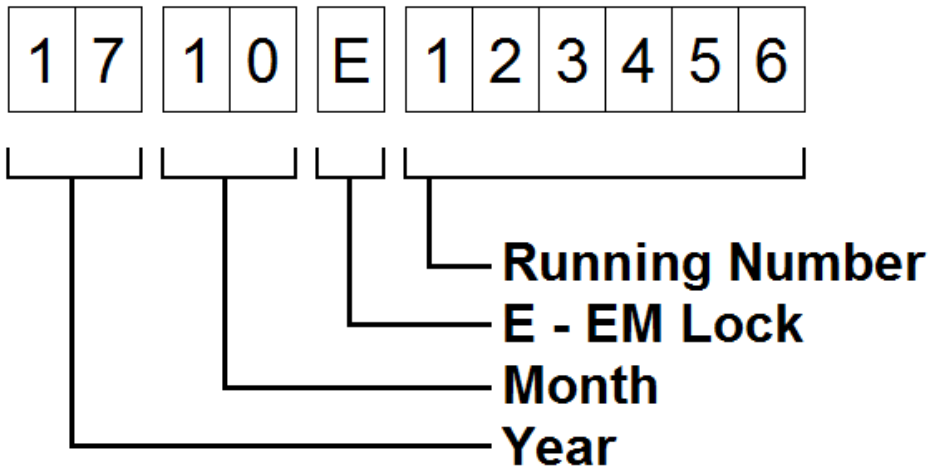
Dimension :

Magnet : 250(L) X 41(W) X 26(D) mm

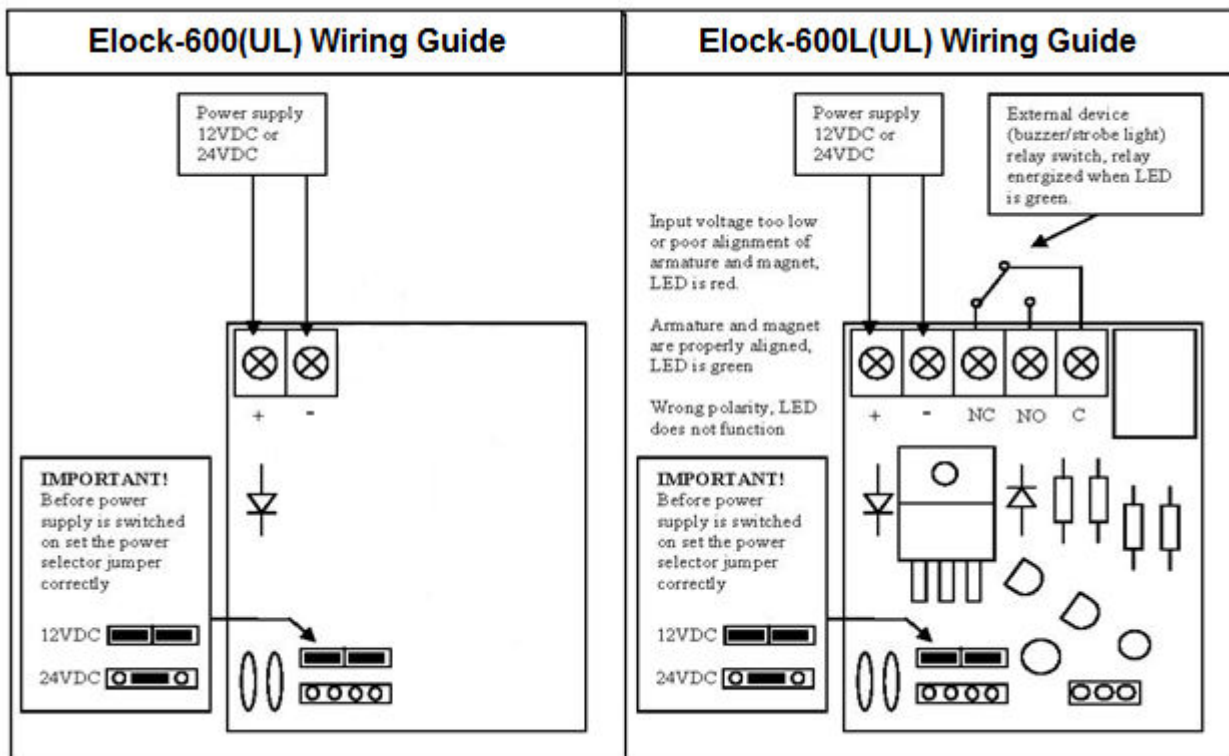
Armature Plate : 170(L) X 38(W) X 11(D) mm



Serial Number Definition :



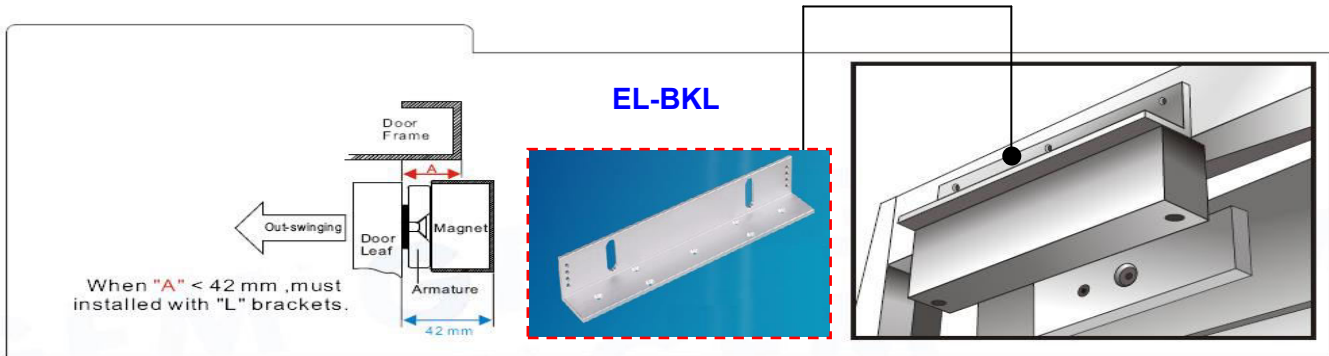
Wiring Guide :



Optional Brackets :

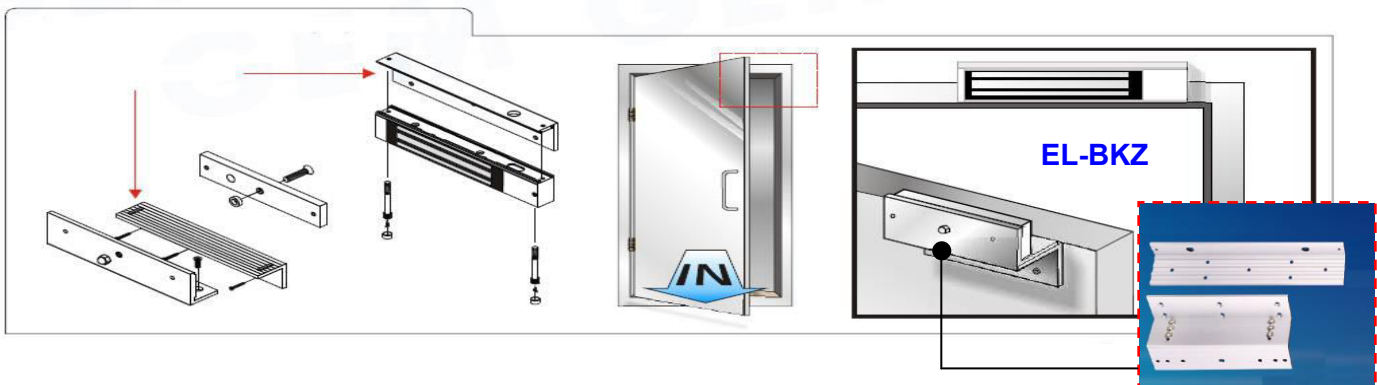
EL-BKL (L Bracket)

- Adjustable "L" bracket for outward door when the header is narrow.
- Available for elock-600(UL) & elock-600L(UL)



EL-BKZ (ZL Bracket)

- Adjustable "ZL" bracket for inward door application.
- Available for elock-600(UL) & elock-600L(UL)



EL-BKU (U Bracket)

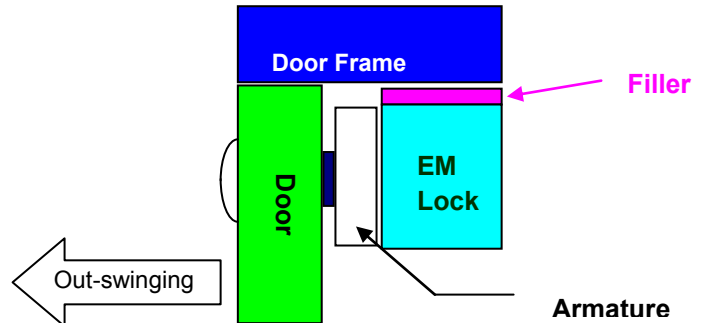
- Specially designed for glass door solution
- Available for elock-600(UL) & elock-600L(UL)



Mounting Diagram :

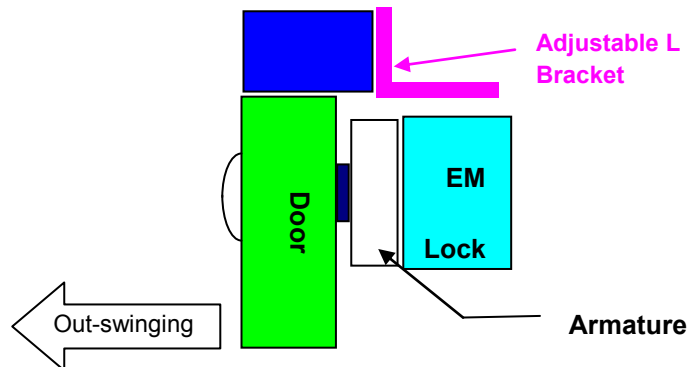
Standard Mounting:

- With Filler Plate attached on top of EM Lock.



L Bracket Mounting :

- Mounting with "Adjustable L Bracket" when Door frame is narrow.
- Mounting Procedure :-
Remove the original "Filler Plate" attached to EM Lock, replaced with " Adjustable L Bracket " set.



ZL Bracket mounting :

- Mounting with " ZL Bracket " for In-swing door application.
- Mounting Procedure :-
Remove the original "Filler Plate" attached to EM Lock, replaced with " Adjustable ZL Bracket " set.

