



eLock-600x2 /
eLock-600Lx2

Features

eLock-600x2 Series electromagnetic locks offer cost effective solution with easy installation & suitable for variety of application. It has no moving parts thus keeping maintenance to a minimum. All types of brackets are available to ease installation for both in-swing & out-swing doors.

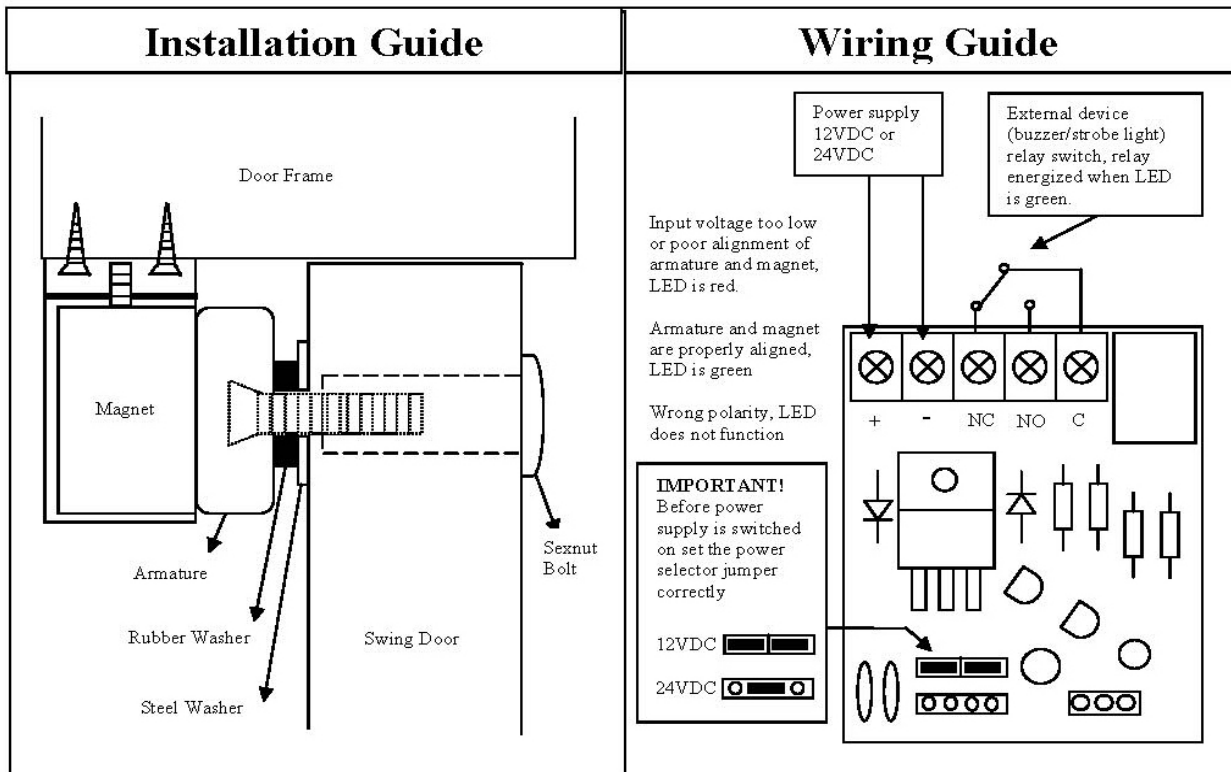
Specification

- 2X600lbs holding force (Double Magnets)
- Specially designed for double leaf doors
- Dual voltage 12 & 24 Vdc
- Current drawn 2 X (500mA / 250mA)
- MOV surge protection
- Fail-Safe type
- Unmonitored Model (eLock-600X2)
& Monitored Model (eLock-600LX2)
- Push-off button on armature for instant release
- Dimension : -

Magnet : 250x2(L) X 41x2(W) X 26x2(D) mm

Armature Plate : 170(L) X 38(W) X 11(D) mm

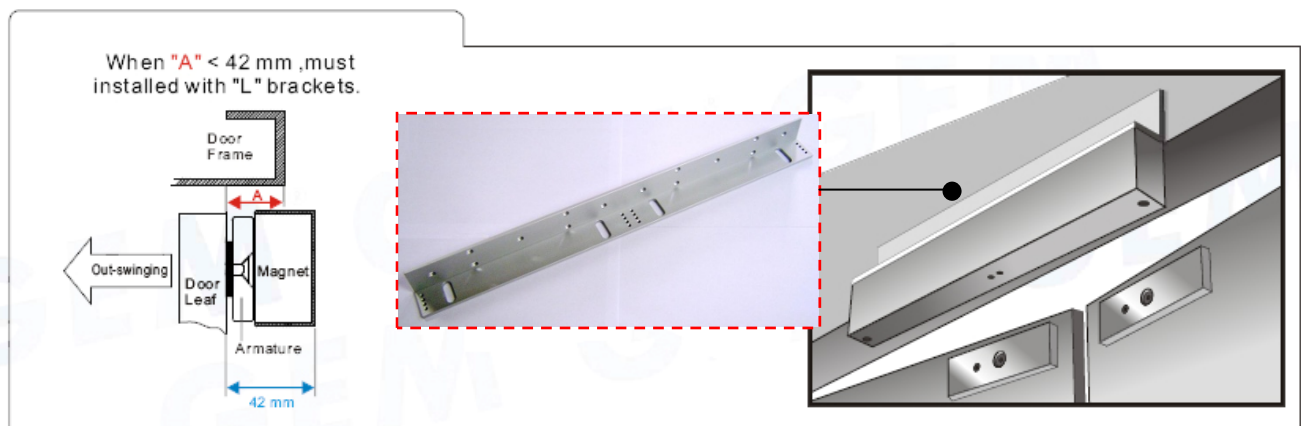
User Guide



Optional Brackets

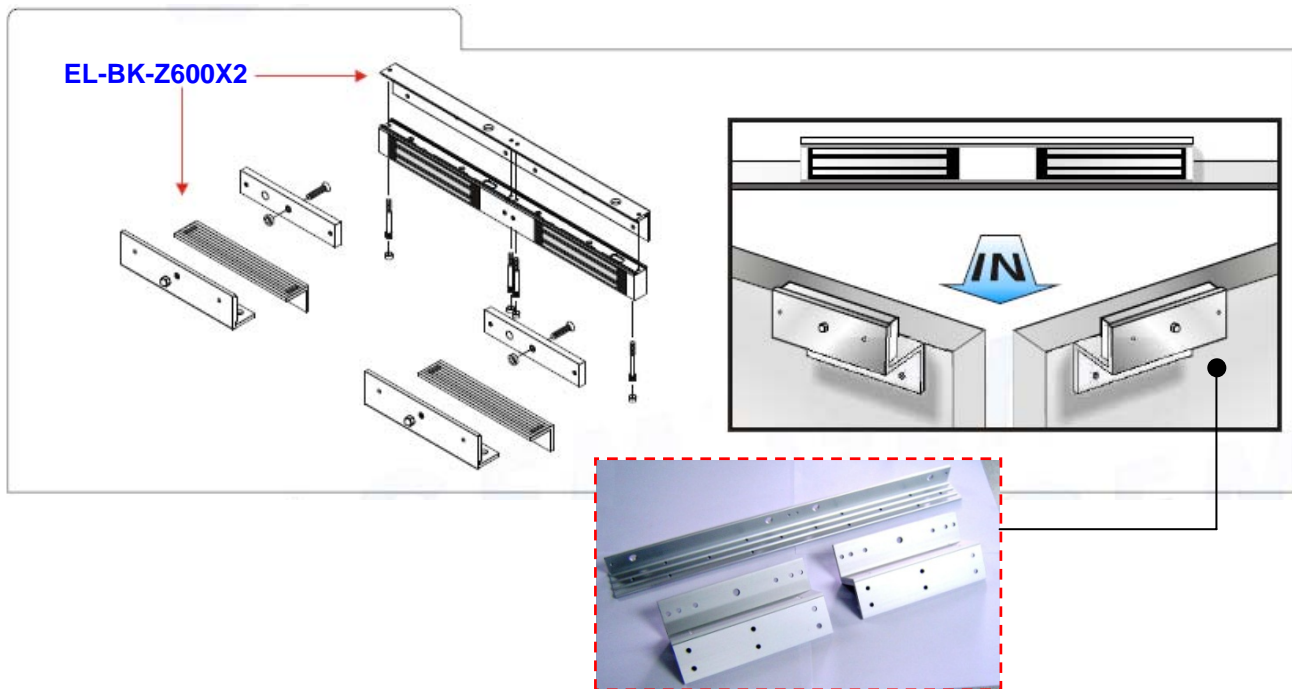
EL-BKL (L Bracket)

- Adjustable "L" bracket for outward door when the header is narrow.
- Available for eLock-300, 600 & 1200 Series.



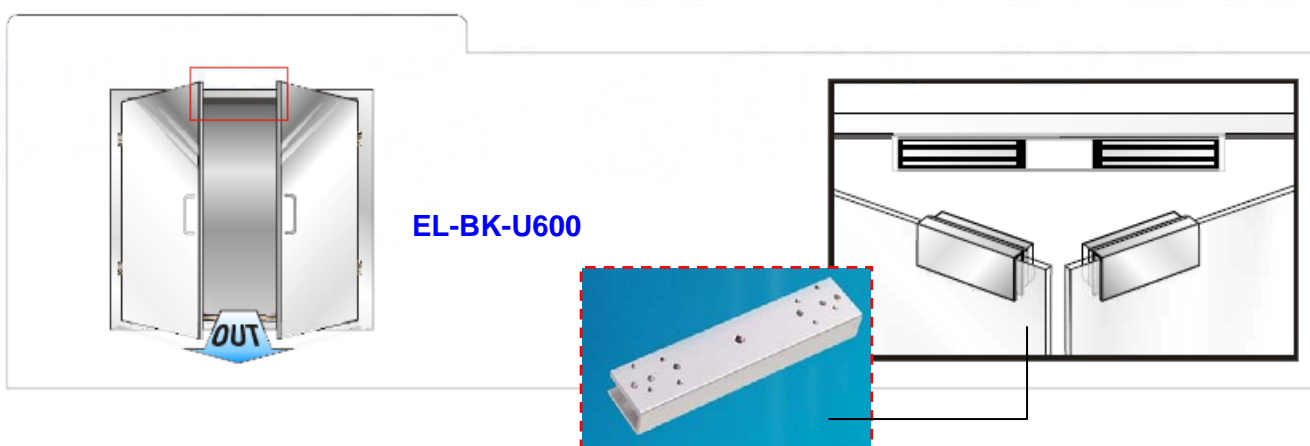
EL-BKZ (ZL Bracket)

- Adjustable "ZL" bracket for inward door application.
- Specially designed for double leaf doors



EL-BKU (U Bracket)

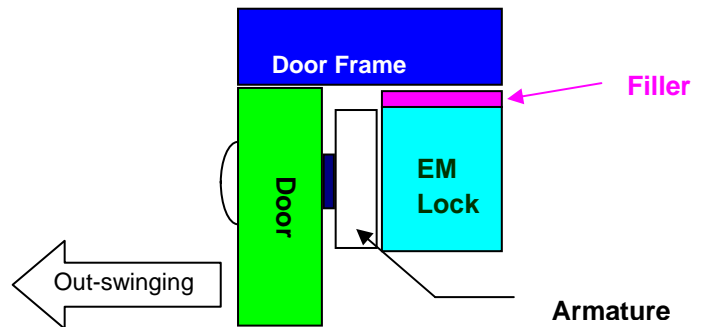
- Specially designed for glass door solution
- Available for e-lock-300 & 600 Series



Mounting Diagram

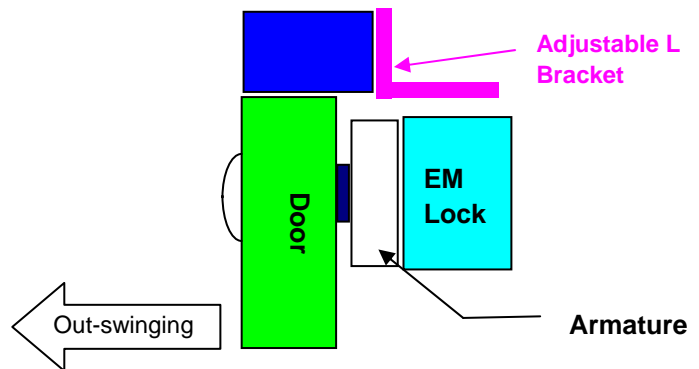
Standard Mounting:

- With Filler Plate attached on top of EM Lock.



L Bracket Mounting :

- Mounting with "Adjustable L Bracket" when Door frame is narrow.
- Mounting Procedure :-
Remove the original "Filler Plate" attached to EM Lock, replaced with " Adjustable L Bracket " set.



ZL Bracket mounting :

- Mounting with " ZL Bracket " for In-swing door application.
- Mounting Procedure :-
Remove the original "Filler Plate" attached to EM Lock, replaced with " Adjustable ZL Bracket " set.

